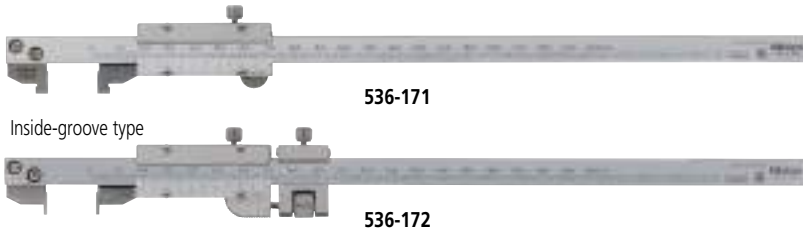


Calipers

An industry standard measuring tool

Hook Type Vernier Caliper SERIES 536

- Allows measurement of stepped inside diameter section of cylinders.
- **536-172** is equipped with a fine-adjustment wheel to enable precise feed and adjustment.



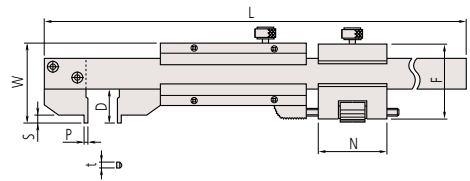
SPECIFICATIONS

Order No.	Range (mm)*1	Graduation (mm)	Maximum permissible error (mm)*2		Remarks
			E_{MPE}	S_{MPE}	
536-171	0 - 200 (10.1 - 200)	0.02	± 0.03	± 0.03	—
536-172	0 - 200 (2.1 - 200)		± 0.03	± 0.03	with fine adjustment

*1 (): Dimension in inside measurement

*2 Partial Surface Contact Error, E_{MPE} and Shift Error, S_{MPE} are terms (notations) used in ISO 13385-1:2019.

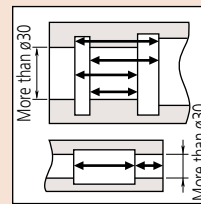
DIMENSIONS



Unit: mm

Order No.	D	F	L	N	P	S	t	W
536-171 *1	12	—	320	—	5	4	3.5	28
536-172 *2	—	28.5	—	20	1			

*1 Inside measuring face is R5.
*2 Inside measuring face is flat.



Swivel Vernier Caliper SERIES 536 — Moving Jaw type

- The moving jaw can be rotated to measure sectioned shafts.
- Allows step measurement.

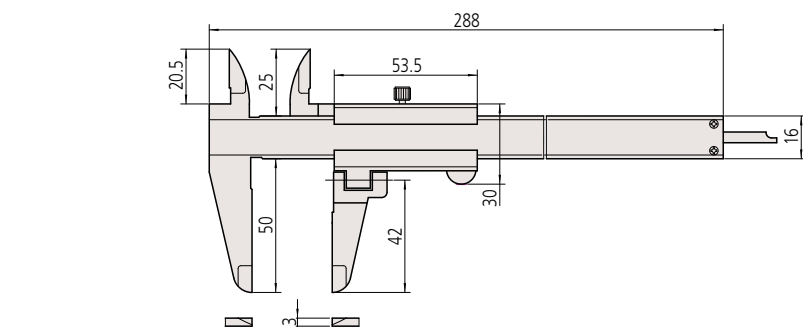


SPECIFICATIONS

Order No.	Range (mm)	Graduation (mm)	Maximum permissible error (mm)*		Remarks
			E_{MPE}	S_{MPE}	
536-212	0 - 200	0.05	± 0.05	± 0.07	with depth bar

* Partial Surface Contact Error, E_{MPE} and Shift Error, S_{MPE} are terms (notations) used in ISO 13385-1:2019.

DIMENSIONS



Unit: mm